

## ST PLUS SERIES - LED Dusk to Dawn Light

The ST PLUS SERIES - LED Dusk to Dawn Light, Up to 142 lm/W, UL Wet Location, Premium Outdoor Luminaire.

Project:
Date:
Catalog No:
Prepared By:

### Premium Features

Lumen Output	6400 to 9600 lumens
Efficacy	Up to 142 lm/W
Input Voltage	120-277V
Dimmable	No
CCT	5000K
UL Rating	Wet Location
Warranty	5 Years

45W and 70W Models, shown in Dark Bronze. Includes Twist-Lock Photocell Sensor and Mounting Arm



45W Model also available in Silver



### Applications

Premium outdoor luminaire suitable for building exteriors, entryways, pathways, pedestrian walkways, yards, and loading docks.

### Construction

Manufactured for weather-proof durability using solid heavy duty die cast aluminum housing with anti-UV polyester coating to resist water, salt, corrosion, discoloration, and scratching. UL Wet Location rated.

### Electrical

Input voltages 120-277V. Operating temperatures -40°F to 104°F (-40°C to 40°C).

### Mounting

Includes integrated Slip-fit Mount and removable Mounting Arm Bracket.

### Optics

Anti-UV Frosted Prismatic Polycarbonate Lens.

### Controls

Includes twist-lock top Photocell Sensor cap.

### Listings

UL certified to meet US and Canadian standards. FCC, CE and RoHS compliant. Listed to qualify for energy-efficient LED lighting rebates.

### Warranty

5 yr /50K hrs. View at: <https://falkorindustry.com/warranty/>.

### Correlated Color Temperatures (CCT)

5000K



## Specifications

### Energy Data

Input Voltage: 120-277V

Input Frequency: 50/60 Hz

Wattage: 45W, 70W

Power Factor: >0.9

Total Harmonic Distortion: <20%

Operating Temperature: -40°F to 104°F (-40°C to 40°C)

### Lighting Data

Lumens: 6400, 9600

Lumens Per Watt: Up to 142 lm/W

Color Correlated Temperature (CCT): 5000K

Dimmable: No

Color Rendering Index (CRI): >70

L70: 50000 hours

## Ordering Information

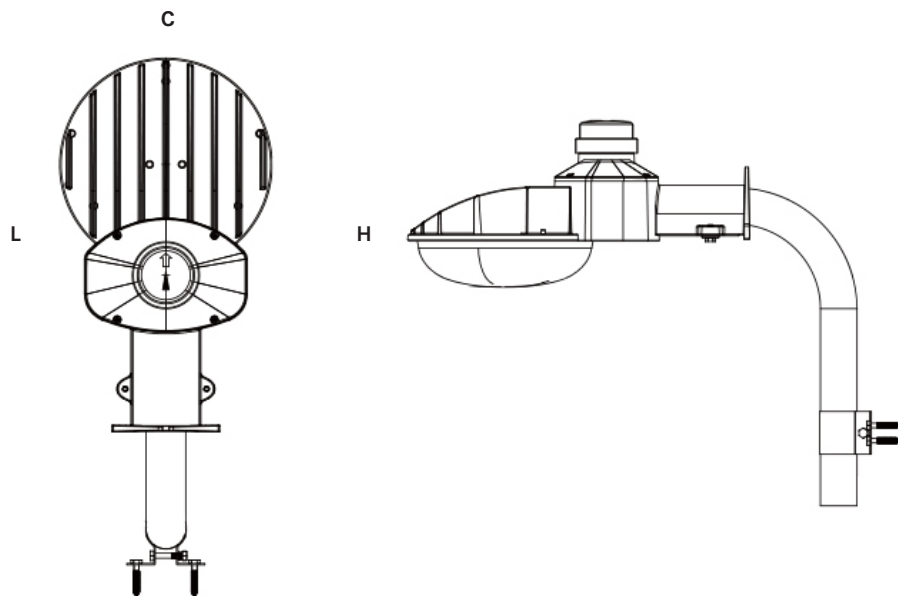
Model	Wattage	Voltage	Current	Lumens	Efficacy	CCT	Dimming	Color	Dimensions	Weight
ST45W	45W	120-277V	0.38A@120V, 0.16A@277V	6400	142 lm/W	5000K	No	Silver or Dark Bronze	15.75"L x ø 8.98"C x 7.65"H (Luminaire Only) 20.69"L x ø 8.98"C x 17.73"H (with Mounting Arm)	5.73 lbs
ST70W	70W	120-277V	0.58A@120V, 0.25A@277V	9600	137 lm/W	5000K	No	Silver	15.75"L x ø 8.98"C x 7.65"H (Luminaire Only) 20.69"L x ø 8.98"C x 17.73"H (with Mounting Arm)	5.84 lbs

## Shipping Information

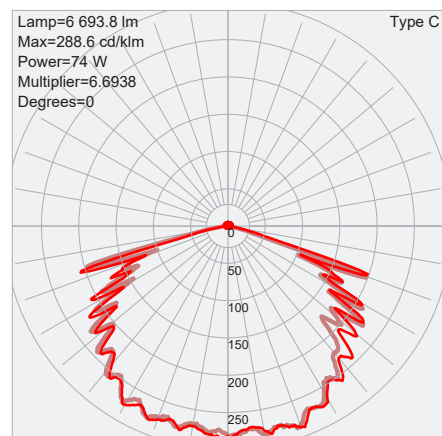
Model Size	Shipping Dimensions	Shipping Weight	Quantity /Box
45W	17.00"L x 14.00"W x 8.00"D	9.60 lbs	1
70W	17.00"L x 14.00"W x 8.00"D	9.90 lbs	1

## Physical Dimensions

**All Models** 15.75"L x ø 8.98"C x 7.65"H (Luminaire Only)  
20.69"L x ø 8.98"C x 17.73"H (with Mounting Arm)



## Photometric Characteristics



\*Example of 70W 5000K

